

### Description

Housing for surface mounting made of UV-stable plastic, suitable for wall and ceiling installation with rear conical exhaust vent (DN 80 - DN 75) and leakage-airtight backdraft shutter.

The exhaust vent is top left, however, the housing can be turned at a right angle, so that the exhaust vent is either top right, bottom left or bottom right. The adjustment of the backdraft shutter to the appropriate installation position is done by

simply changing its position.

All ventilator inserts of the Silvento series can be inserted into the surface-mounted housing.

Incl. mounting accessories and sound absorbers

### Installation

Using the supplied drilling template holes for dowels and screws and the bore for the air vent can be prepared. The installation of the housing is made by flush finish on the wall or ceiling and ventilation using the Alu-Flex pipe DN 80 to the

main line, or directly through the outer wall 9/J30.

Please observe the installation manual and have the electrical connection of the fan performed by a qualified professional.

### Accessories

Universal- backdraft shutter  
 Wall duct 9/J 30 (ø 98mm)  
 Outer grille round  
     white 1/WE 115  
     red-brown 1/RE 115  
     sanded 1/BE 115  
     square sanded 1/J  
     stainless steel 1/RME 150  
     copper 1/RMK 150

Alu-Flex pipe DN 80

### Technical data

Power supply 230 V AC 50 Hz  
 Dimensions (W x H x D) in mm  
 269 x 269 x 109.5  
 Available static pressure  
 221 Pa

The ventilation unit is provided with protective insulation; a protective conductor terminal is not required.

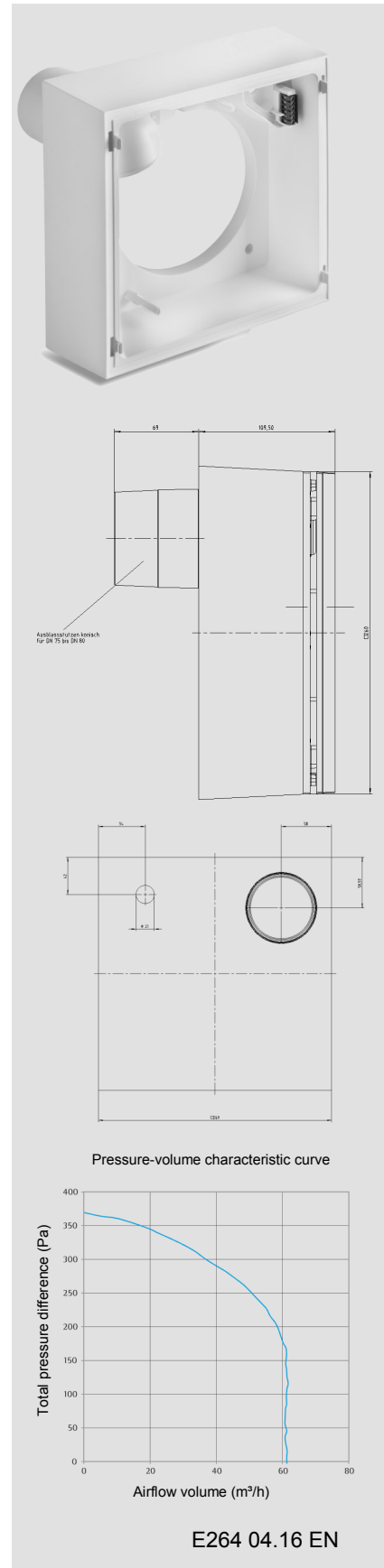
### Further details

Product data  
 Brand LUNOS  
 Type 3/AP  
 Order No. 039 144

Manufacturer's warranty: 2 years

### Note

Products and illustrations may vary slightly. Due to continuous product development and/or several suppliers e.g. for raw materials, colours, among other things, may vary slightly or be shown differently in brochures.



Editing status: April 2016